

COMMON MODE POWER LINE CHOKE

TRF3015VT SEIRES



FEATURES:

- Very high permeability nanocrystalline core material
- Improved isolation through plastic case and winding spacer
- High and stable inductance values at high temperatures
- High rated currents
- Broadband suppression
- Small size

APPLICATIONS:

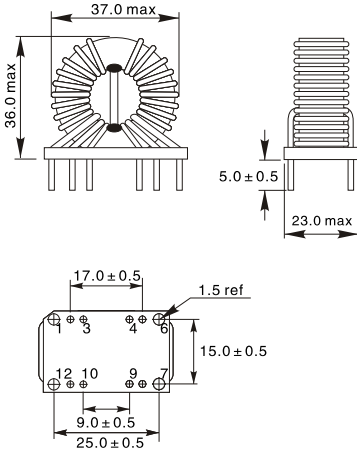
- Power electronics
- Power line in- and output filter
- Suppression for common mode noise
- Radio interference suppression in motors

ELECTRICAL CHARACTERISTICS:

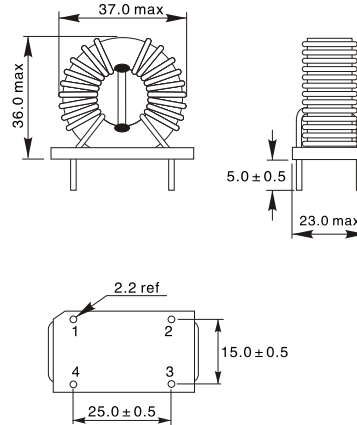
Part Number	L (mH)	Tolerance (%)	Rated Current (A)	RDC max. (mΩ)	Dimensions
TRF3015VT-901Y	0.9	-30 to +50	32	1.1	1
TRF3015VT-252Y	2.5		25	2.2	2
TRF3015VT-302Y	3.0		23	3.0	2
TRF3015VT-452Y	4.5		18	4.2	2
TRF3015VT-123Y	12		10	15	2
TRF3015VT-303Y	30		5	46	2
TRF3015VT-903Y	90		3.5	110	3
TRF3015VT-193Y	190		2.0	310	3

PHYSICAL CHARACTERISTICS:

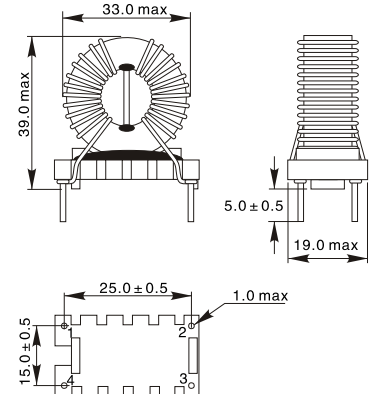
Dimensions 1



Dimensions 2



Dimensions 3



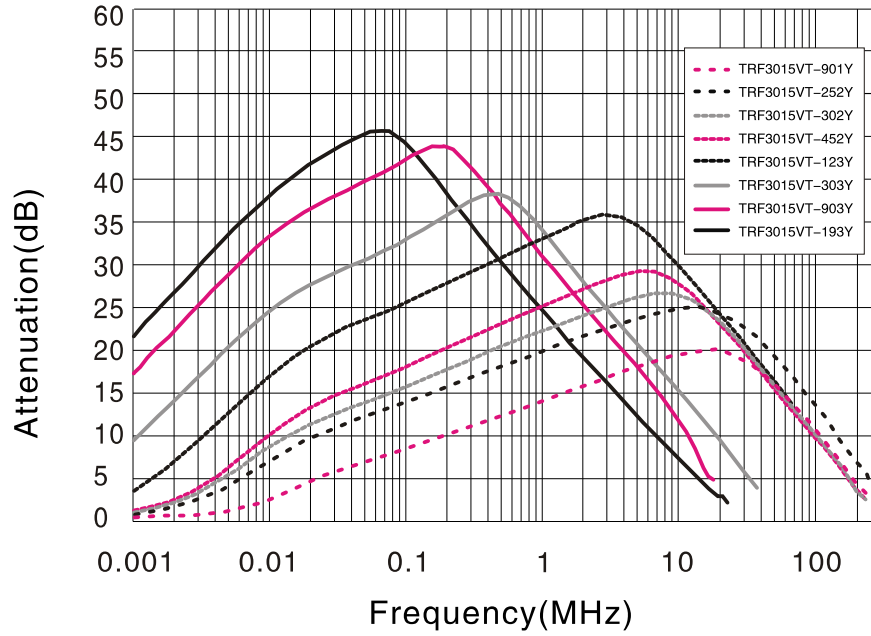
Winding



Notes:

- Rated voltage.....250Vac
- Frequency.....50/60Hz
- Insulation test voltage..... 1500V
- Operating temperature.....-40 °C to +125 °C
- Housing..... UL94 V-0

INSERTION LOSS COMMON MODE



INSERTION LOSS DIFFERENTIAL MODE

