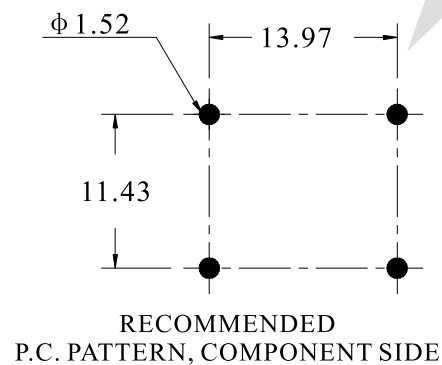
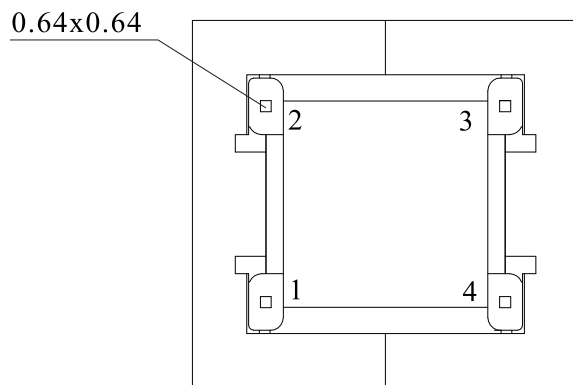
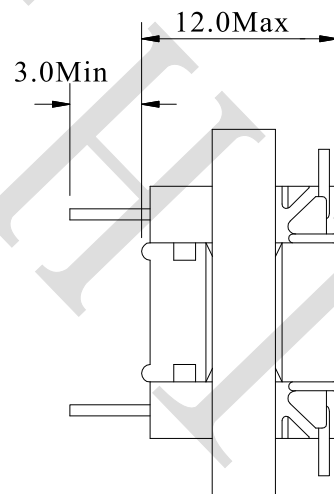
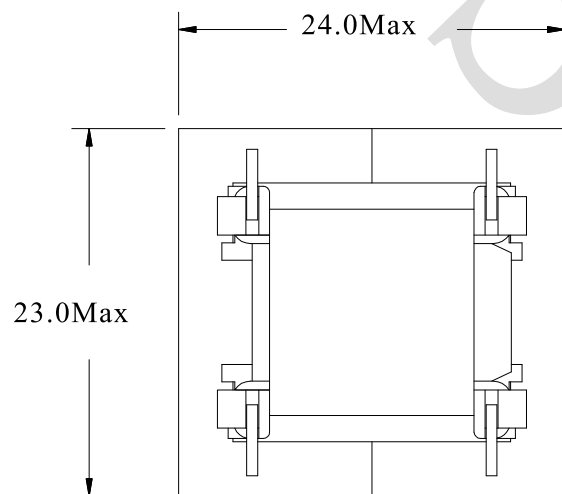
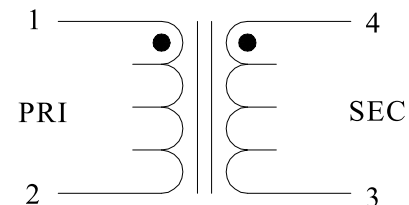


1. PHYSICAL CHARACTERISTICS(mm)



2. ELECTRONICAL SCHEMATIC



3. ELECTRONICAL SPECIFICATIONS

Isolation voltage: 1000Vrms(Winding to Winding)

Turns ratio: Pin1-2 : Pin4-3=1:1

Pin1-2 inductance: 200mH Min@1KHz,1V

Pin1-2 DCR: 140 Ω Max

Pin4-3 DCR: 160 Ω Max

Insertion loss: 3.0dB Max@1KHz,1V@Load 600 Ω

Note:

1.Solderability:leads shall meet MIL-STD-202,
Method 208D for solderability.

2.Flammability: UL94V-0

3.ASTM oxygen index: >28%

4.Test Instrument: WK 3260B+3261A



NAME:	Audio transformer		
CUSTOMER P/N:		DATE:	2012-08-29
P/N:	AT2302	REV:	A0
DRAWN BY	CHECKED BY	APPROVE BY	



SHINHOM
SHAANXISHINHOM ENTERPRISE CO LTD

TEL:+86-029-87851838
FAX:+86-029-87851840
Http://www.shinhom.com
E-mail:sales@shinhom.com.cn
No.8,Yanta Northern Road,Xi'an Shaanxi Pro.China